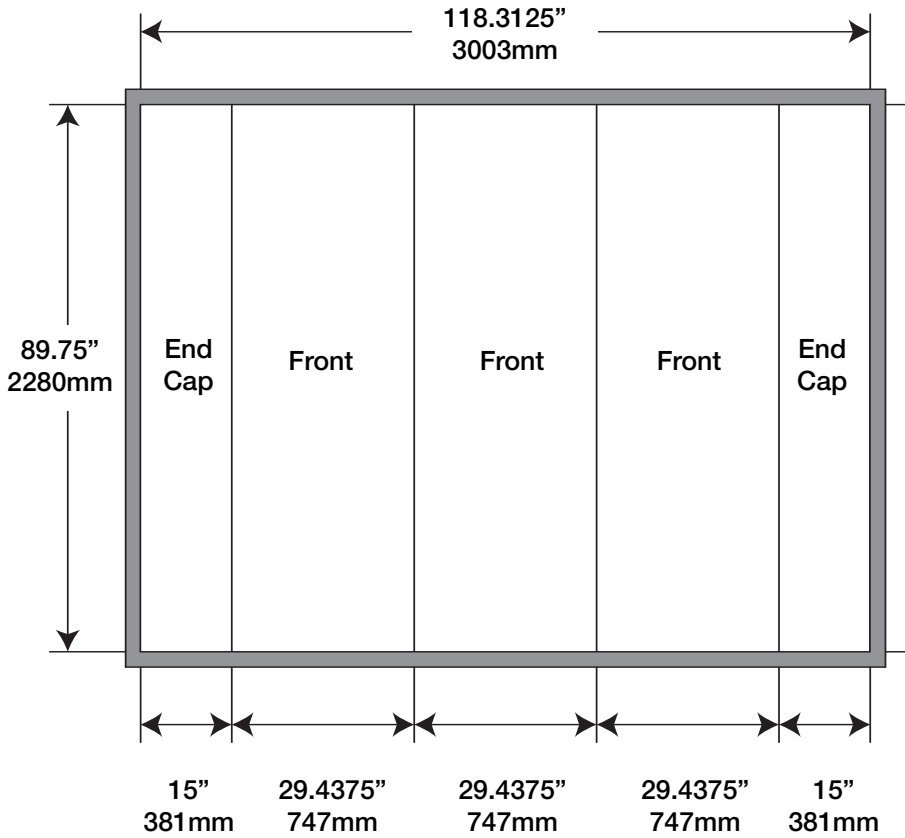


## Full Graphic Mural

## Classic Configuration



### Minimum Document Size\*

(with Bleed)

Width: 120.3125" x Height: 91.75"  
3054mm x 2331mm

(50% with Bleed)

Width: 60.15625" x Height: 45.875"  
1527mm x 1166mm

(25% with Bleed)

Width: 30.078125" x Height: 22.9375"  
764mm x 583mm

### Finished Size

Width: 118.3125" x Height: 89.75"  
3003mm x 2280mm

\*Your document size should encompass the crops and bleed area.

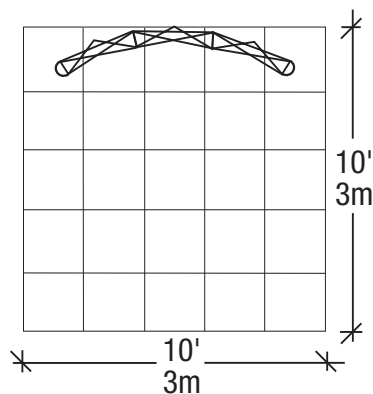


Live Area



Bleed (to be trimmed)

FLOOR PLAN

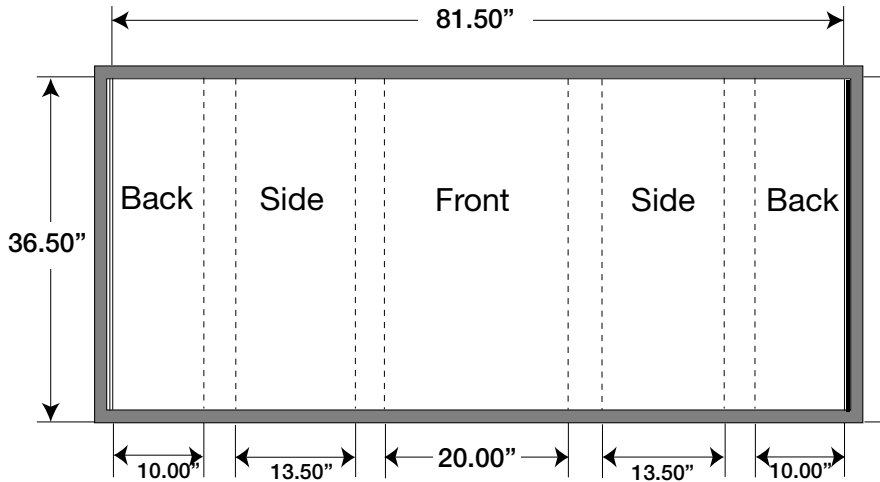


ELEVATION



## RollOne Panel Counter

## Counter Configuration



### Minimum Document Size\* (with Bleed)

Width: 83.50" x Height: 38.50"

(50% with Bleed)

Width: 41.75" x Height: 19.25"

(25% with Bleed)

Width: 20.875" x Height: 9.625"

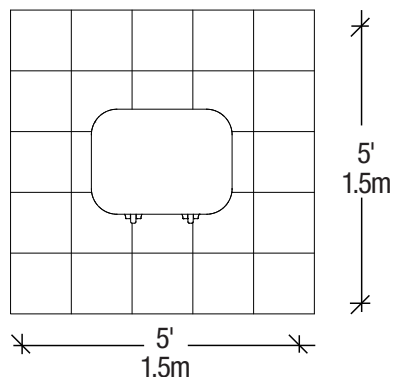
### Finished Size

Width: 81.50" x Height: 36.50"

### Live Front Size

Width: 20.00" x Height: 36.50"

FLOOR PLAN



ELEVATION



Note: When positioned on RollOne case, graphic will overlap horizontally by 1 1/8".

Inkjet Graphic attaches with Magnets and Dye Sub Graphic attaches with velcro.